



## Technical Specifications

<b>Power Consumption</b>	3,3 kW**
<b>Water Consumption</b>	5-12 liters/min
<b>Water Pressure bar</b>	3 bar
<b>Net Weight</b>	1 200 kg
<b>Numbers of operators</b>	0

\*\*MACHINE MODULES 31-26

## Capacity (VMK31-26)

FISH POCKETS	FISH / KG	FISH / MIN.
45 mm	N.A.	N.A.
60 mm	4-20	225-300
75 mm	2.5-8.0	200-275
90 mm	2-6	200-275

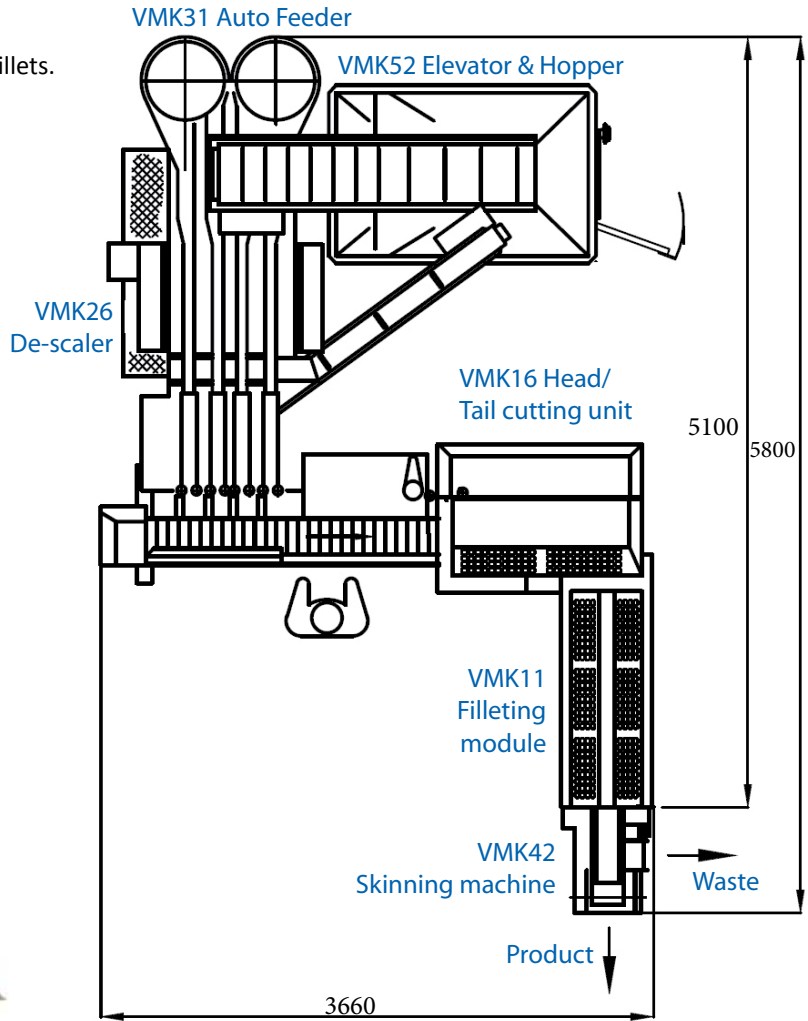
Technical data to be changed without notice.



- Auto feeding of scaling, designed to remove side-scales of horse mackerel
- Together with VMK Head/Tail cutting and filleting modules offering a complete system for filleting of horse mackerel
- Service & Support and Spare parts from VMK
- 1 operator

OPTIONAL ON THE VMK PROCESSING LINE:

- **M9 Single filleting device:**  
Splitting device creating single fillets vs. butterfly fillets.
- **M19 Chute:**  
For taking care of roe and milt used as delicacy.
- **M24 Belly Cut unit:**  
Cleaning out belly cavity of membrane and blood with a rotating grinding stone.
- **M50 Piece cutter:**  
Deli-style Herring and more.
- **M60 Steak Cutter:**  
Dressed fish prepared to fit in cans.
- **M63 Vacuum nozzle:**  
For hygienic evisceration via VMK16
- **M69 Water pump:**  
Used to achieve extra water pressure.
- **M95 Sex sorting unit:**  
Used for herring to separate females



The VMK31, automatic feeder, can be equipped with a scaler, especially designed for processing of Horse Mackerel (*Trachurus Trachurus*) as well as Jack Mackerel (*Trachurus Murphyi*). The fish is placed in the hopper and transported in a uniform stream onto the feeder, continuing via vibrating chutes orienting the fish. In the VMK26 the sharp scutes of the horse mackerel is removed.

The scaler is built on the VMK31 feeder, and the VMK line can be operated with or without having the scaler running. When utilized in this appearance the processing can go up to 300 fish per minute.

Species handling capabilities for VMK31 includes herring, mackerel, horse mackerel, blue whiting, sardines, trout, smelt, and similar species. Changing the infeed conveyor pockets and chain will enable processing of different size of fish.

The machinery is all made of non-corrosive material and complies with all CE machinery directives. At the time of installation and commissioning an experienced technician will be of help to get the machine operational. All machinery comes with one year warranty.

**VMK Spare parts and Service:** [vmk@arenco.com](mailto:vmk@arenco.com) • +46 480 945 00



Arenco AB / VMK Fish Processing  
Box 915, SE-391 29 Kalmar, Sweden  
Phone +46 480 945 00  
[www.vmkfish.com](http://www.vmkfish.com) • [www.arenco.com/fish](http://www.arenco.com/fish)

